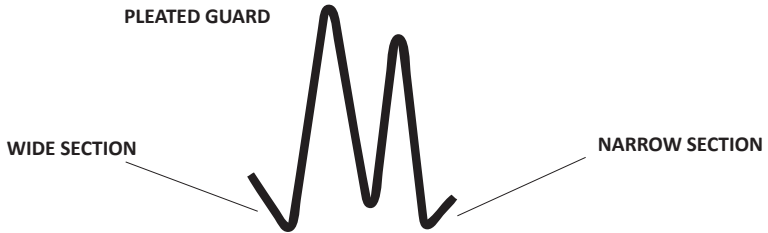


# FINGERSAFE MK1C FITTING INSTRUCTIONS FOR BI-FOLD DOORS

www.fingersafe.com.au  
4 Craig Road, Donvale 3111  
Tel: +61 3 9885 8009  
Email: enquiry@fingersafe.com.au

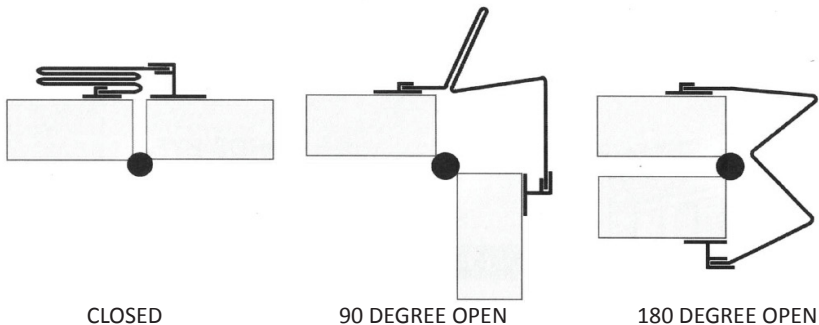
*There are many ways to fit our finger guards. All fitting instructions are contained on the technical page of our website [www.fingersafe.com.au](http://www.fingersafe.com.au). We suggest you review all fitting instructions to ensure you fit the finger guards in the manner most appropriate to your door.*



**THIS PRODUCT USES THE STANDARD FINGERSAFE PLEATED GUARD WITH THIS NEW FIXING STRIP**

## FIXING STRIP

> Use a stanley knife to cut the strip into sections A and B before commencing installation.



BIRDS EYE VIEW WITH FINGERSAFE MODULE FITTED

### STEP 1

Check the firmness of the door hinges to check for damage and to be sure the door operates properly - if the door closes easily without Fingersafe it will continue to do so once Fingersafe MK1C is fitted.

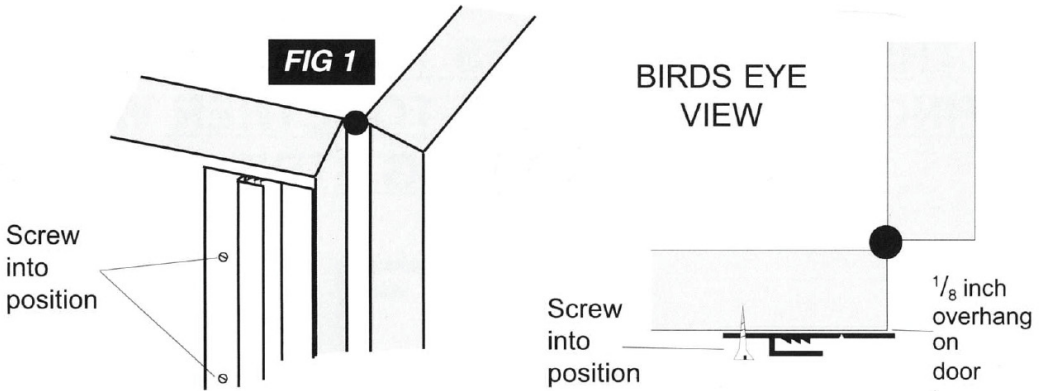
### STEP 2

Cut module with sharp scissors or tin snips and fixing strip with the hacksaw to fit the height of the door, ensuring that both finish not less than 20mm (3/4 in) short of the door top and bottom, most strips do not need to be cut at all. Do not cover kickplates if they are more than 3mm (1/8 inch) proud of the door face.

### STEP 3

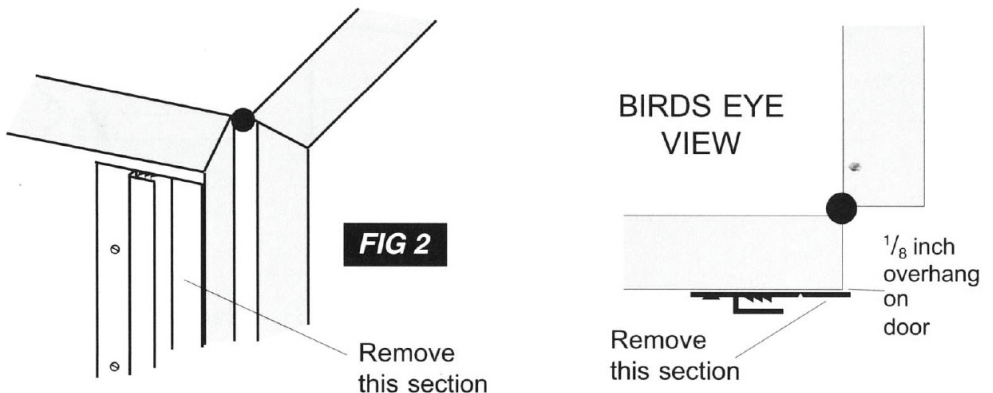
Open the bi-fold to 90 degrees, attach fixing strip A to one side of the bi-fold door. The leading edge must overhang the inside edge of the opening by 1/8 inch. See Fig 1.

Ensure screws are also fastened within 20mm of the top and bottom of the fixing strips.



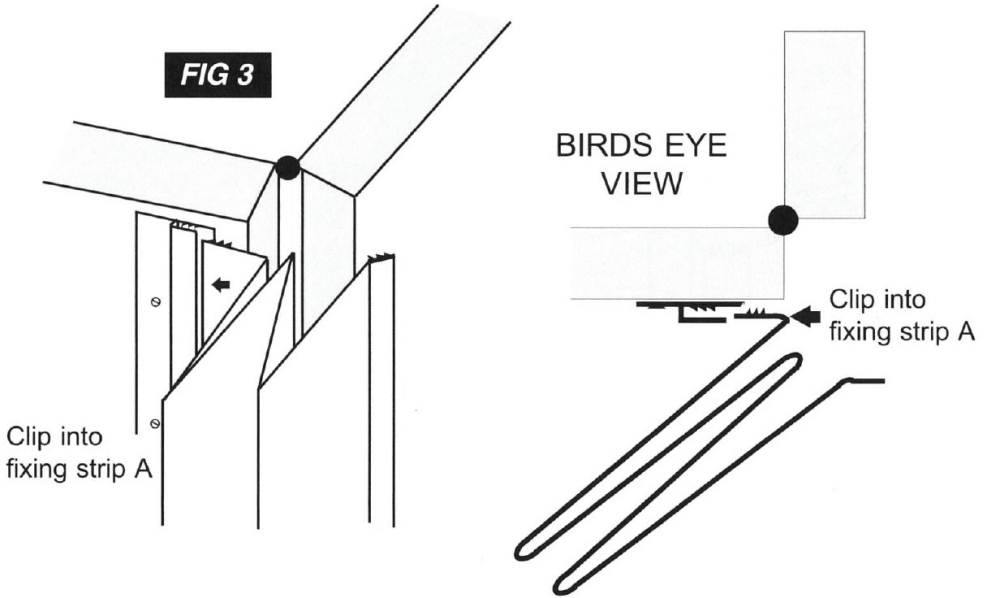
### STEP 4

Remove 10mm section by cutting along grooved line with Stanley type blade. See Fig 2.



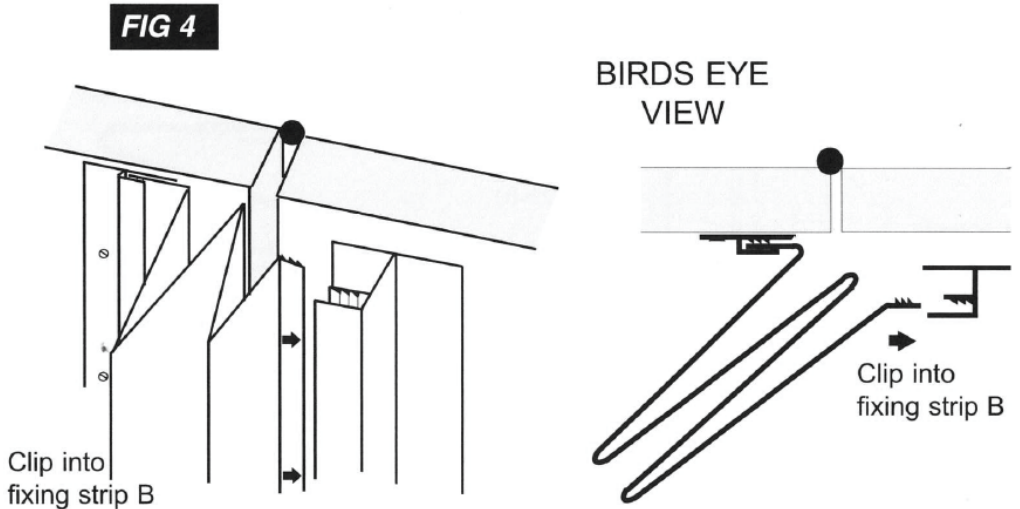
**STEP 5**

Clip the Fingersafe wide section into the fixing strip A starting at the top being sure it is fully locked into the serrations. See Fig 3. (Three distinct clicks signals a secure installation).



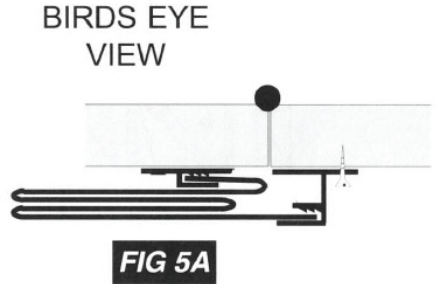
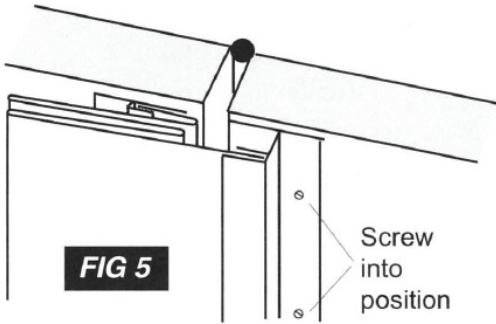
**STEP 6**

Take the fixing strip B and clip onto the module narrow section being sure that it is full locked into position. See Fig 4. (Three distinct clicks signals a secure installation).



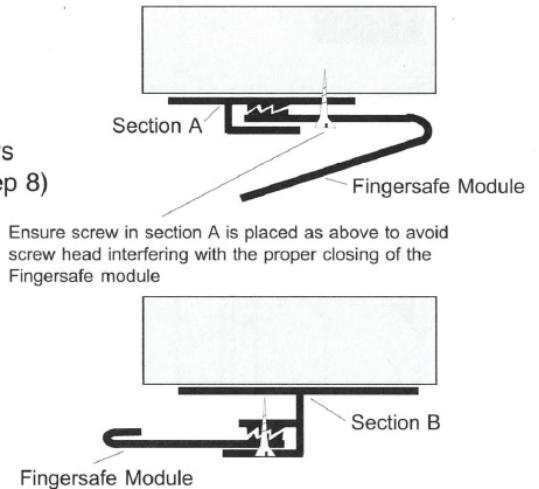
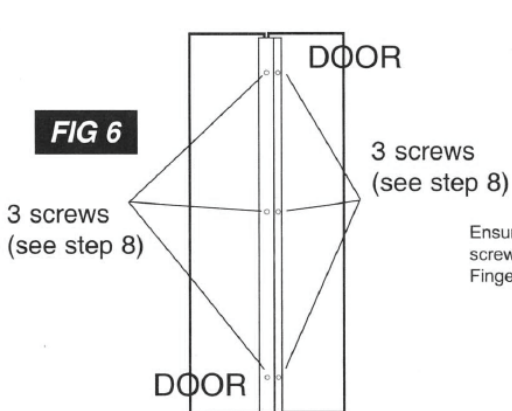
### STEP 7

Close the bi-fold door and lay the fixing strip section B with module against the door and screw into position making sure Fingersafe lays flat against door. See Fig 5A.



### STEP 8

After opening and closing the door to ensure that the Fingersafe is working as diagrams 1, 2 & 3, attach 3 extra screws top, middle and bottom to both side of unit through both fixing strip and module. See Fig 6.



**THESE INSTRUCTIONS MUST BE FOLLOWED PRECISELY IN ORDER TO VALIDATE THE 2 YEAR GUARANTEE**