

FINGERSAFE MK1A & MK1B FITTING INSTRUCTIONS

www.fingersafe.com.au
4 Craig Road, Donvale 3111
Tel: +61 3 9885 8009
Email: enquiry@fingersafe.com.au

Fingersafe is easy to fit and very reliable when installed correctly. It is essential that these instructions are followed carefully. We can accept no liability or responsibility for incorrect installation. Fingersafe can be installed in 95% of doors, however, it is not suitable for the following types of doors; double swing doors; doors with rising or declining butt hinges; sliding doors.

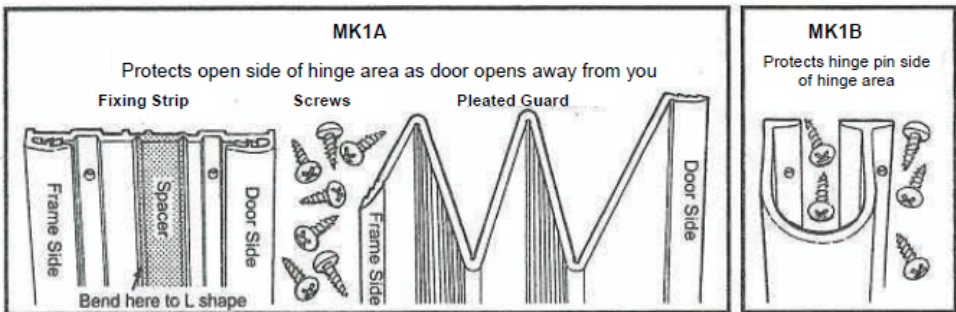
There are many ways to fit our finger guards. All fitting instructions are contained on the technical page of our website www.fingersafe.com.au. We suggest you review all fitting instructions to ensure you fit the finger guards in the manner most appropriate to your door.

TOOLS REQUIRED FOR FITTING FINGERSAFE

- > Cordless drill (or screwdriver)
- > Stanley knife (always keep the blade sharp)
- > Strong scissors, tin snips, or hacksaw
- > Posidrive bit
- > Pencil
- > Self-drilling screws for wood, steel and aluminium doors (provided)

The screws provided are for wood and metal doors; if installing in wood, make sure the electric screwdriver is set to a low tension.

COMPONENTS OF FINGERSAFE



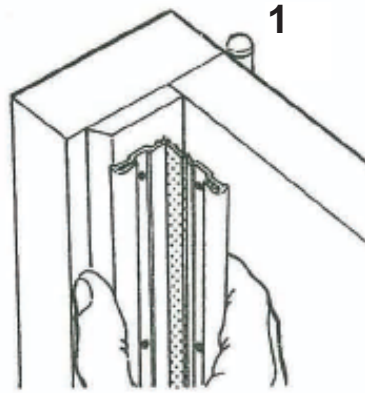
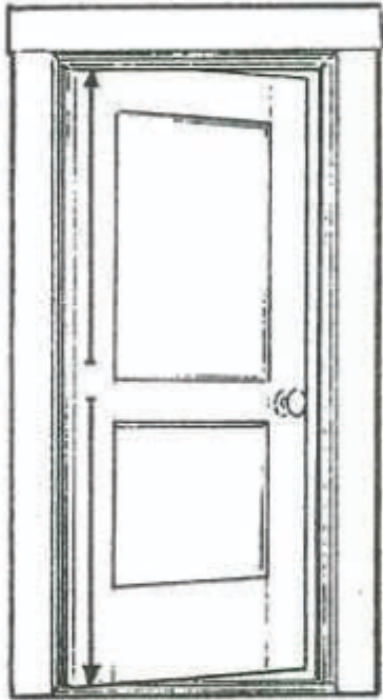
1. Check the stability of the door and hinges by opening the door at a 45 degree angle and gently but firmly exerting lateral and vertical pressure. This will show any instability or damage in the door or frame which must be repaired before you start. If the door has a closer attachment, you must check its effectiveness. If the door closes easily without Fingersafe, it will continue to do so once Fingersafe is installed.

2. After any necessary door maintenance, bring all the tools to the side of the door that swings away from you, and pull the door closed tight.

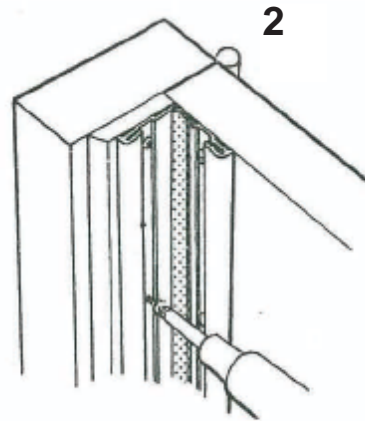
3. Measure from the bottom of the door to the bottom side of the frame at the top. Subtract 3/4 inch (20 mm) for clearance and cut the fixing strip and pleated panel square to length if necessary.

NO LIABILITY WHATSOEVER ACCEPTED IF THESE INSTRUCTIONS ARE NOT FOLLOWED

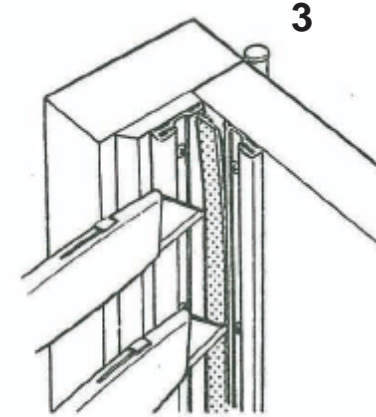
MK1A INSTALLATION INSTRUCTIONS FOR STANDARD HINGED DOOR



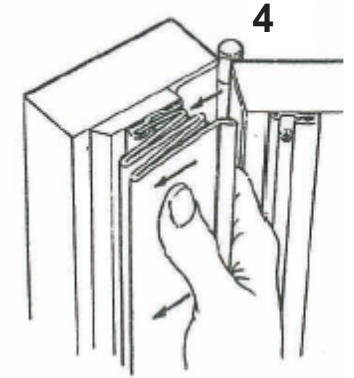
1
When bent, hold corner of L firmly in corner of frame and door. Align with bottom of door.



2
Insert TEK screws on alternating sides, keeping corners firmly in place. Ensure screws are also fastened within 20mm of the top and bottom of the fixing strips.



3
With Stanley knife separate strips at corner and remove spacer.

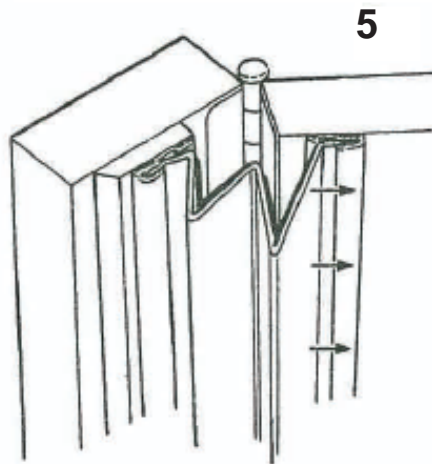


4
Open door 90 degrees and align 1 inch side of pleated panel to frame fixing strip. Snap in position top to bottom.

FITTING TIPS

After installing fixing strip, the 1 inch panel must be snapped into frame fixing strip **FIRST**. See no. 4.

When snapping the Fingersafe panels in position, 3 distinct clicks per side signal a complete installation.



5
Insert 3 inch panel of Finger-safe in door fixing strip.

6

Ensure when screwing onto frame side the screw should go through module where indicated to allow the module to close flush.

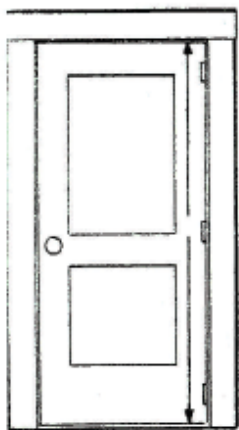
Add TEK screws through both fixing strip and Finger-safe.

Ensure when screwing into door side the screw should go through the module and fixing strip as shown.

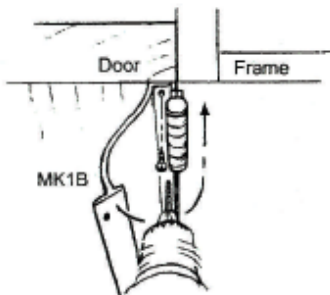
BIRDS EYE VIEW shows Fingersafe fitted with the door closed.

THESE INSTRUCTIONS MUST BE FOLLOWED PRECISELY IN ORDER TO VALIDATE THE 2 YEAR GUARANTEE

MK1B INSTALLATION FOR STANDARD HINGED DOOR

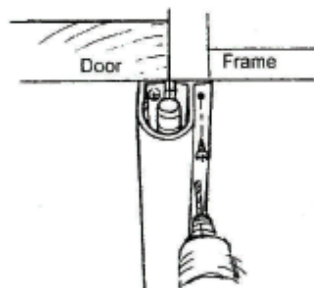


Measure height of the hinge side of door. Cut MK1B square to this length.



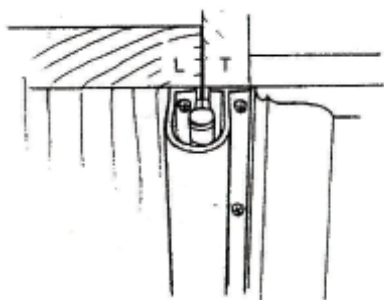
Butt L shaped edge to the door side of hinges while aligning with top and bottom of the door. Secure completely with TEK self tapping screws.

Ensure screws are also fastened within 20mm of the top and bottom of both sides of the finger guard.



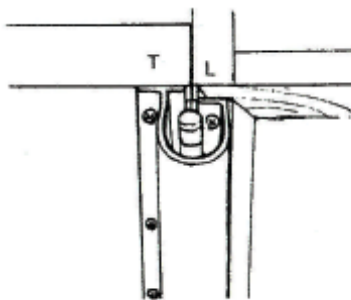
Roll the MK1B over the hinges and butt the T shape to hinges on frame side. Align with L shape top and bottom. Secure with TEK self tapping screws and remove cellophane protective membrane.

TYPICAL INSTALLATION



MK1B must be cut square aligned with top and bottom of door.

EXCEPTION TO TYPICAL



Architrave frame fitted with MK1B reversed, due to limited space on the frame side.

FITTING TIPS:

- 1) Both the L and T must be parallel to door and frame and each other for maximum protection and wear.
- 2) The screws on the L side must be secured first.
- 3) Do not fit the MK1B over hinges that are proud of the door / frame. Either cut to fit finger guard only above / between / below hinges OR fit a 10mm width (by the thickness of the hinge) packing strip to the door / frame to provide a continuous flat surface to fix the finger guard.