

fingersafe[™] AUSTRALIA

DOOR SAFETY SYSTEMS

INFORMATION PACK

Fingersafe Australia
145 High Street, Glen Iris, VIC 3146

Telephone +61 (0)3 9885 8009

enquiry@fingersafe.com.au
www.fingersafe.com.au

CONTENTS

1. INTRODUCTION
2. PRODUCT RANGE OVERVIEW
3. MK1A - for hinge opening side
4. MK1B - for hinge pin side
5. MK1C - for bi-fold / flush fit / uPVC doors
6. FITTING INSTRUCTIONS
7. SPECIFICATIONS

INTRODUCTION

Being the first hinge protection device developed in the world, Fingersafe™ door safety products are now recognised as world leaders in door safety and as such are fitted extensively to Government Buildings, Schools, Nurseries, Fast Food Chains, Shops, Public Houses, Leisure Centres etc throughout the world, needing just a basic DIY knowledge Fingersafe™ is very easy to install,

Mk1A to the hinge opening side

Mk1B to the hinge pin side

Mk1C to fit Flush, Bi-Fold and UPVC doors using the standard concertina shaped Mk1A module but using a unique fixing strip allowing it to lay flat against the door.

Please see the enclosed fitting instructions for all Fingersafe™ products

There are of course other products now on the market trying to emulate our unique products but they all have basic design faults for various reasons.

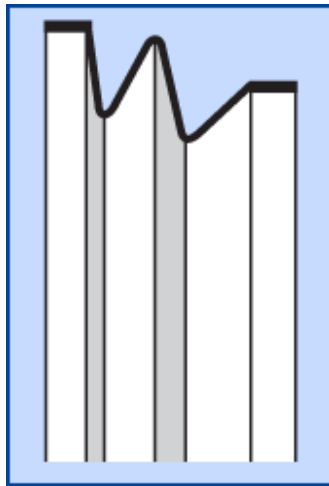
If you are in any doubt please ask for samples and compare the products on offer, there is no comparison.

PRODUCT RANGE OVERVIEW

For quality control purposes all products are UK manufactured

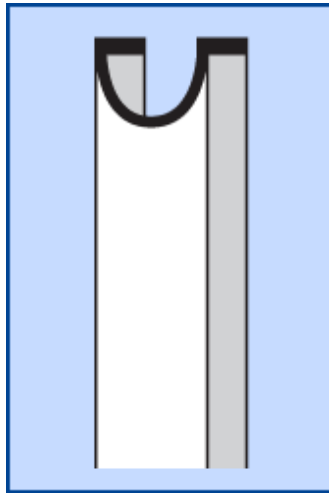
MK1A

For hinge opening side



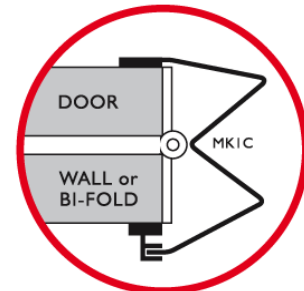
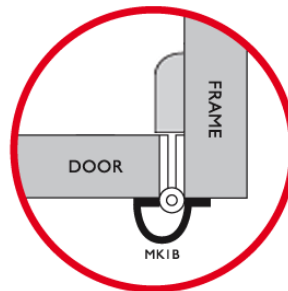
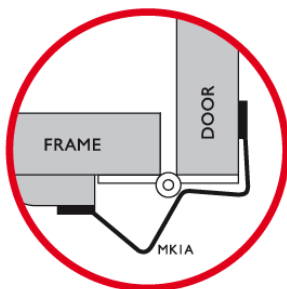
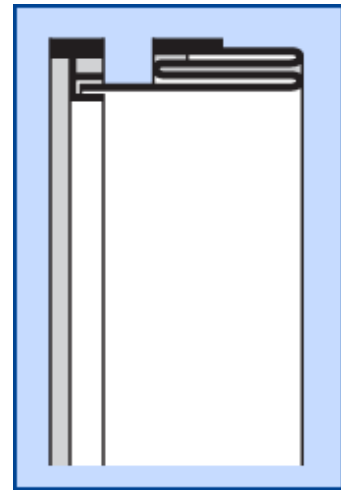
MK1B

For hinge pin side



MK1C

For Bi-fold & Flush fit doors



STOCK SIZES ALL MODELS

1930mm (6ft 4in) 2032mm (6ft 8in)

SPECIAL SIZES AVAILABLE BY ORDER

Colours

Blue, Cream, Caramel, Black, White, Dark Grey,
Light Grey, Dark Brown

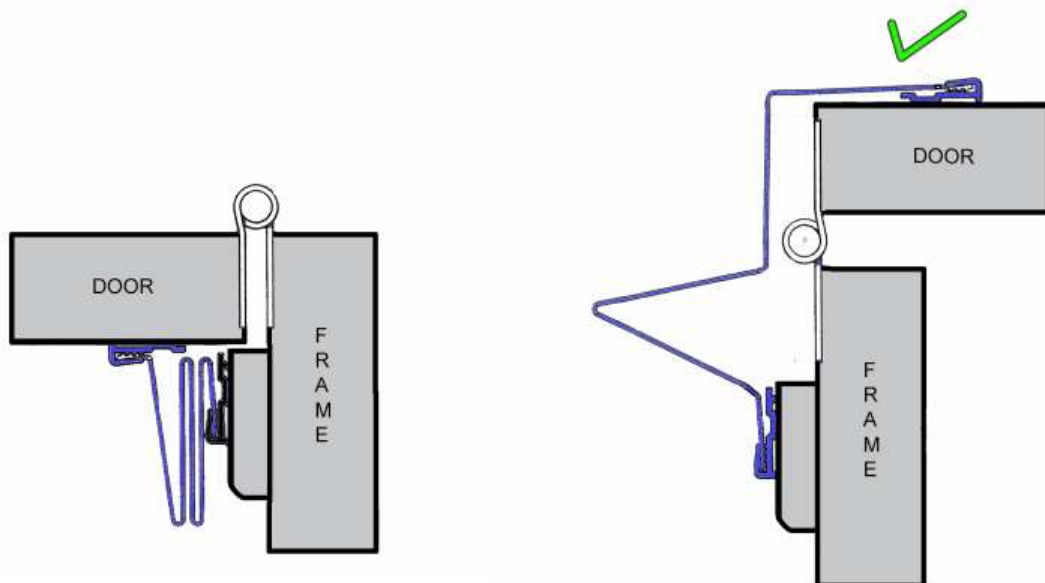
MK1A - for standard butt-hung doors

This together with the Mk1C is the world's only door safety product that actually ejects fingers from the opening hinge side of a door.

This product will fit wood, aluminium, metal, stainless steel, UPVC and Crittall doors, to a full 180 degrees to a maximum opening of 12.5cm (5") .

It can be modified to accommodate wider openings up to 21.5cm (8.5in)

It will also fit rising butts.



This product is available in a range of colours :



Please note that colours shown are not exact due to screen and printer variations

MK1B - for hinge pin side of door

For standard hinges up to parliament size. We can adapt for larger openings.

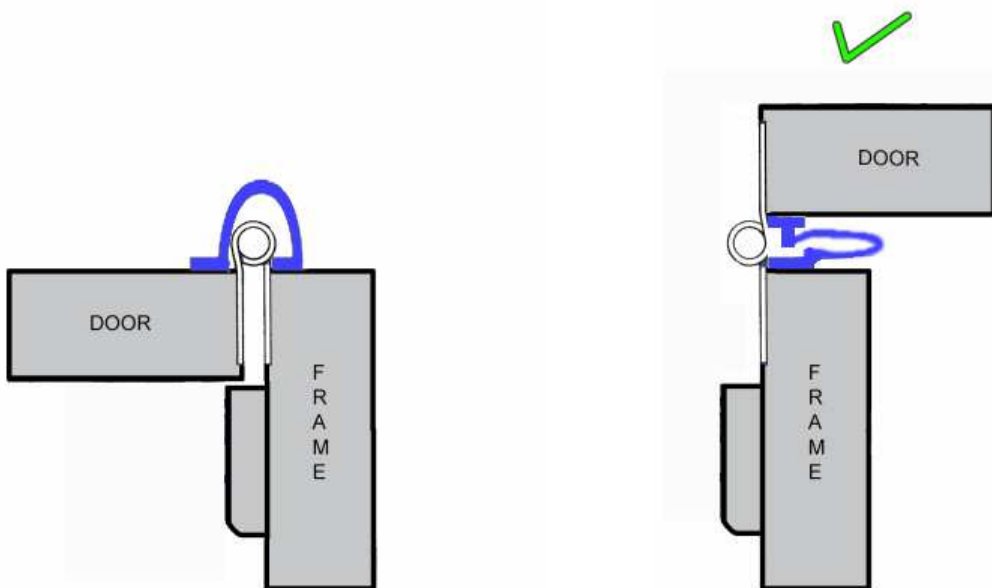
Initially developed for the American Government this model fixes to the door frame and outside edge of door forming a protective seal over the hinge. We can supply special models to cover larger hinges.

PLEASE NOTE NOT ALL DOORS REQUIRE THIS PRODUCT

If a door opens onto a wall, MK1B will not be required as the gap on that side cannot be accessed.

However if the pin side can be accessed Mk1B is needed.

IT IS NOT NECESSARY TO BUY THIS PRODUCT IN SETS, HENCE YOU ONLY BUY WHAT YOU NEED



This product is available in a range of colours :



Please note that colours shown are not exact due to screen and printer variations

MK1C - for bi-fold and flush fit doors

This model uses the MK1A module but has a unique fixing strip which keeps the product flat against the door and ejects fingers every time. Particularly popular in the marine industry.

Made from PVC-U and TPE it is fireproof, weatherproof, resistant to UV and acts as a draft excluder and smoke inhibitor.

This product allows a full 12.5cm (5") door opening and can be modified to accommodate wider openings up to 21.5cm (8.5in)



Mk1C is available in :



Please note that colours shown are not exact due to screen and printer variations

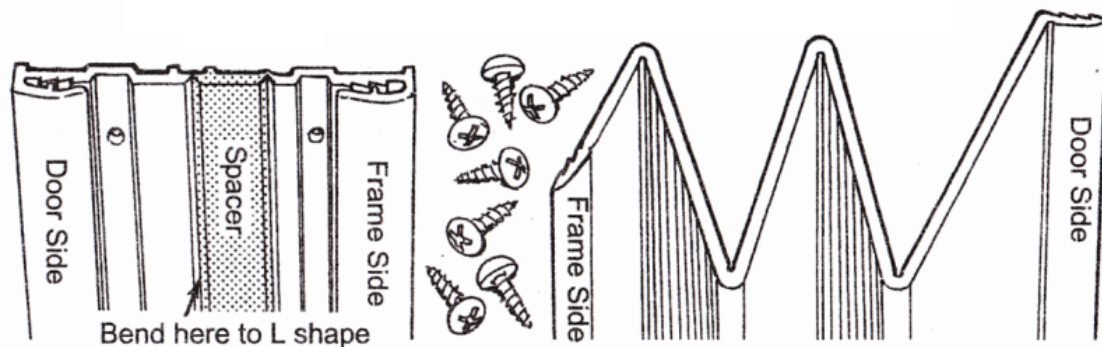
Fitting instructions

MK1A and MK1B

Fingersafe™ is easy to fit and very reliable when installed correctly. It is essential that these instructions are followed carefully. We can accept no liability or responsibility for incorrect installation. Fingersafe™ can be installed in 95% of today's doors; however if your door is one of the following types please contact us for assistance - **Double swing doors, Doors with rising or declining butt hinges, Sliding doors**

Tools required for fitting Fingersafe

1. Cordless drill (or screwdriver)
2. Stanley knife (always keep blade sharp)
3. Strong scissors or tinsnips
4. Posidrive bit
5. Pencil
6. Self drilling screws for wood, metal & aluminium doors (provided)



MK1A PRE-INSTALLATION CHECKLIST

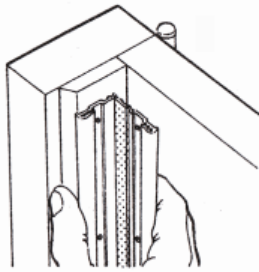
1. Check the stability of the door and hinges by opening the door at a 45 degree angle and gently but firmly exerting lateral and vertical pressure. This will show any instability or damage in the door or frame which must be repaired before you start. If the door has a closer attached, you must check its effectiveness. If the door closes easily without Fingersafe™, it will continue to do so once Fingersafe™ is installed.
2. After any necessary door maintenance, bring all the tools to the side of the door that swings away from you, and pull the door closed tight.
3. Measure from the bottom of the door to the bottom side of the frame at the top. Subtract 3/4 inch (20mm) for clearance and cut the fixing strip and pleated panel square to length if necessary.

NO LIABILITY WHATSOEVER ACCEPTED IF THESE INSTRUCTIONS ARE NOT FOLLOWED

HELPLINE +61 (0)3 9885 8009

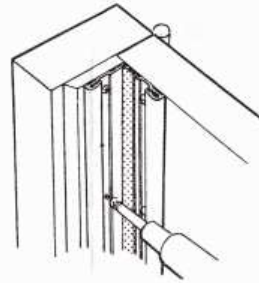
MK1A Installation instructions for standard hinged door

1



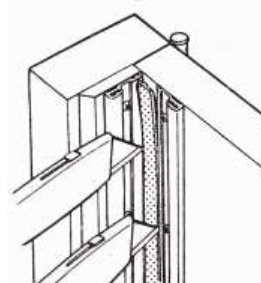
When bent, hold corner of L firmly in corner of frame and door with the wider section on the door side. Align with bottom of door

2



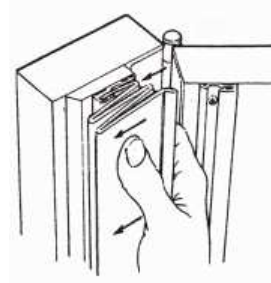
Insert TEK screws on alternating sides, keeping corners firmly in place

3



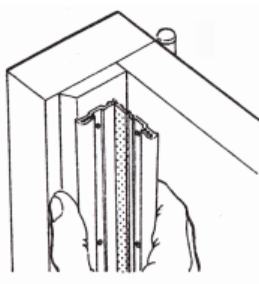
With Stanley knife separate strips at corner and remove spacer

4



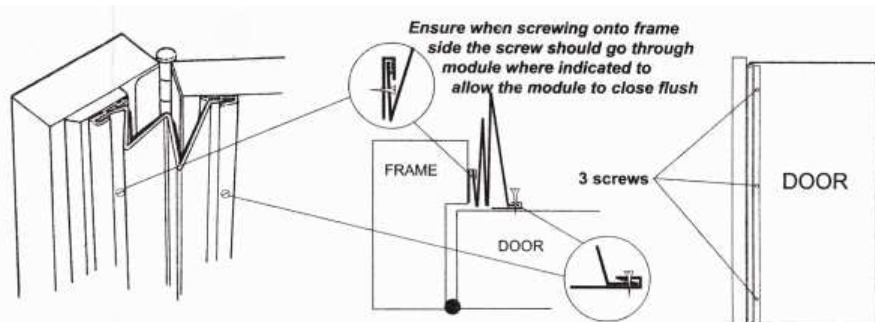
Open door 90 degrees and align 1 inch side of pleated panel to frame fixing strip. Snap in position top to bottom

5



Insert 3 inch panel of Fingersafe™ in door fixing strip

6



Add TEK screws through both fixing strip and Fingersafe™

Fitting tips

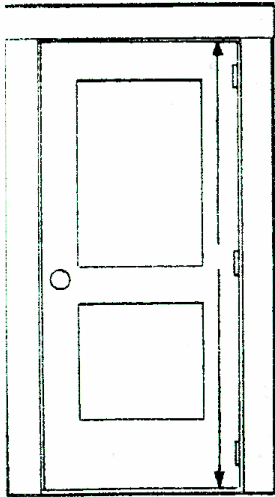
After installing fixing strip, the 1 inch panel must be snapped into frame fixing strip FIRST. See step 4.

When snapping the panels in position, 3 distinct clicks per side signal a complete installation.

PLEASE NOTE

PLEASE TAKE SPECIAL NOTE OF STEP 6. THE PRODUCT WILL NOT FUNCTION CORRECTLY UNLESS THE INSTRUCTIONS ARE FOLLOWED FULLY AND THE 2 YEAR GUARANTEE WILL BE INVALID.

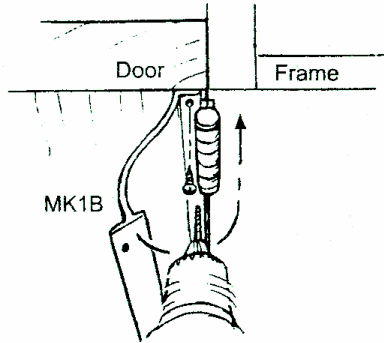
MK1B Installation for standard hinged door



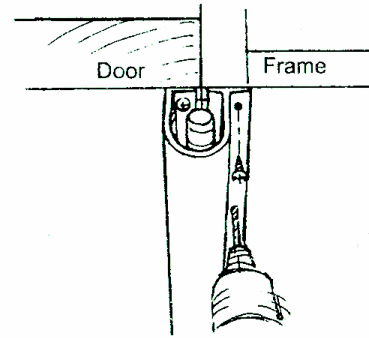
Measure height of the hinge side of door. Cut MK1B square to this length

Fitting Tips

- (1) Both the L and T must be parallel to door and frame and each other for maximum protection and wear
- (2) The screws on the L side must be secure first for obvious reasons

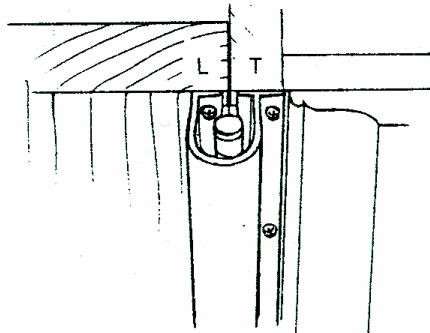


Butt L shaped edge to the door side of hinges while aligning with top and bottom of door. Secure completely with TEK self tapping screws



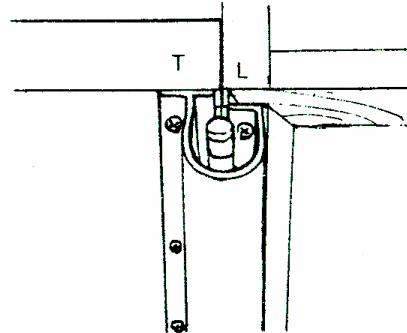
Roll the MK1B over the hinges and butt the T shape to hinges on frame side. Align with L shape top and bottom. Secure with TEK self tapping screws and remove cellophane protective membrane. You are now fingersafe

Typical installation



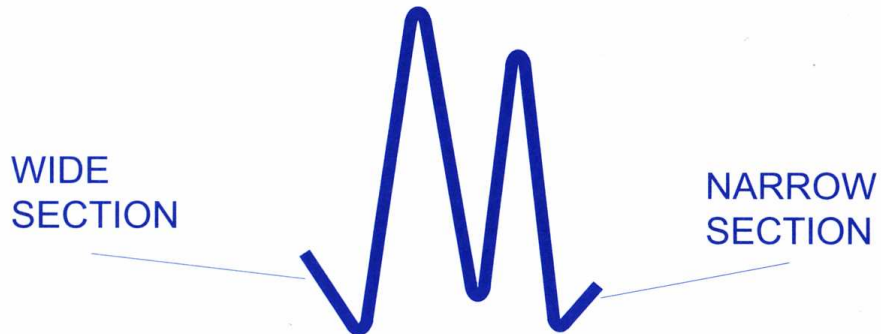
MK1B must be cut square aligned with top and bottom of door

Exception to Typical



Architrave frame fitted with MK1B reversed, due to limited space on the frame side

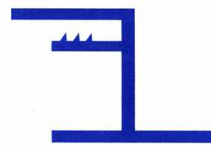
MK1C Installation instructions for bi-fold, flush fit and uPVC doors



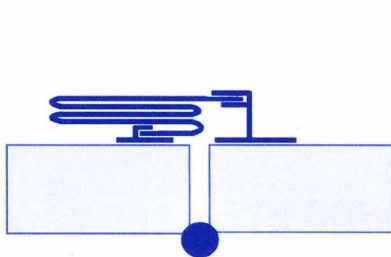
**THIS PRODUCT USES THE STANDARD
FINGERSAFE MODULE TOGETHER WITH
THIS NEW FIXING STRIP**



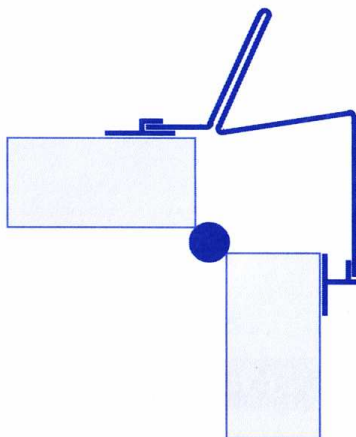
SECTION A



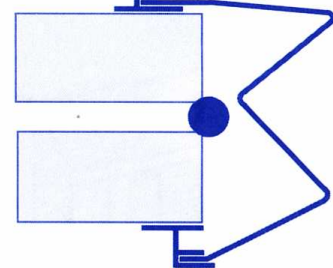
SECTION B



CLOSED



90 DEGREE OPEN



180 DEGREE OPEN

WITH FINGERSAFE MODULE FITTED

STEP 1

Check the firmness of the door hinges (in the case of bi-fold doors the frame hinge and sections) to check for damage and to be sure the door closes - if the door closes easily without Fingersafe it will continue to do so once Fingersafe MK1C is fitted

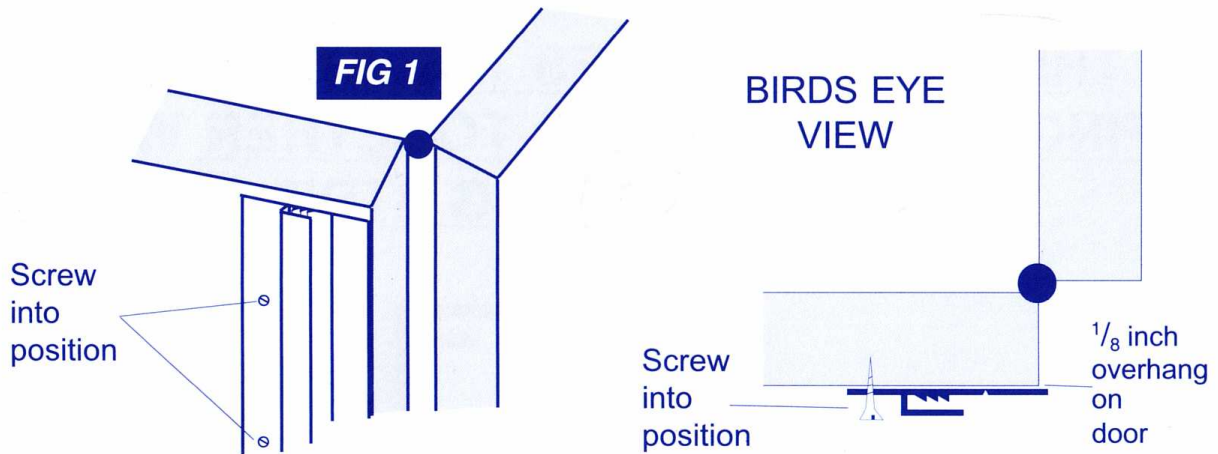
STEP 2

Cut module with sharp scissors or tin snips and fixing strips with hacksaw to fit the height of the door, ensuring that both finish not less than 20mm (3/4 in) short of the door top and bottom, most strips do not need to be cut at all. Do not cover kickplates if they are more than 3mm (1/8 inch) proud of the door face.

STEP 3

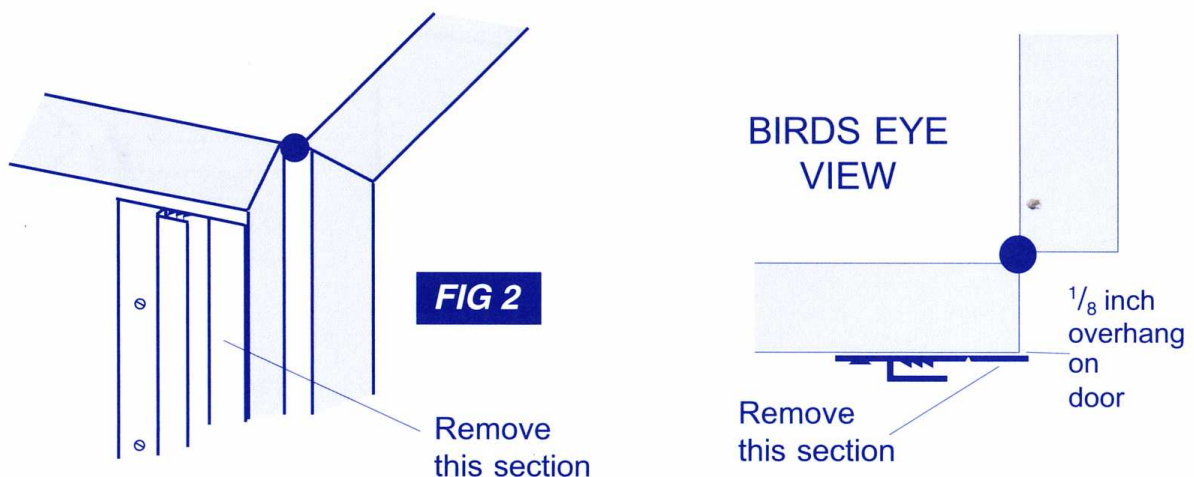
Open the door/bi fold to 90 degrees, attach fixing strip A to the door frame or bi-fold door the leading edge must overhang the inside edge of opening by 1/8 inch.

SEE FIG 1



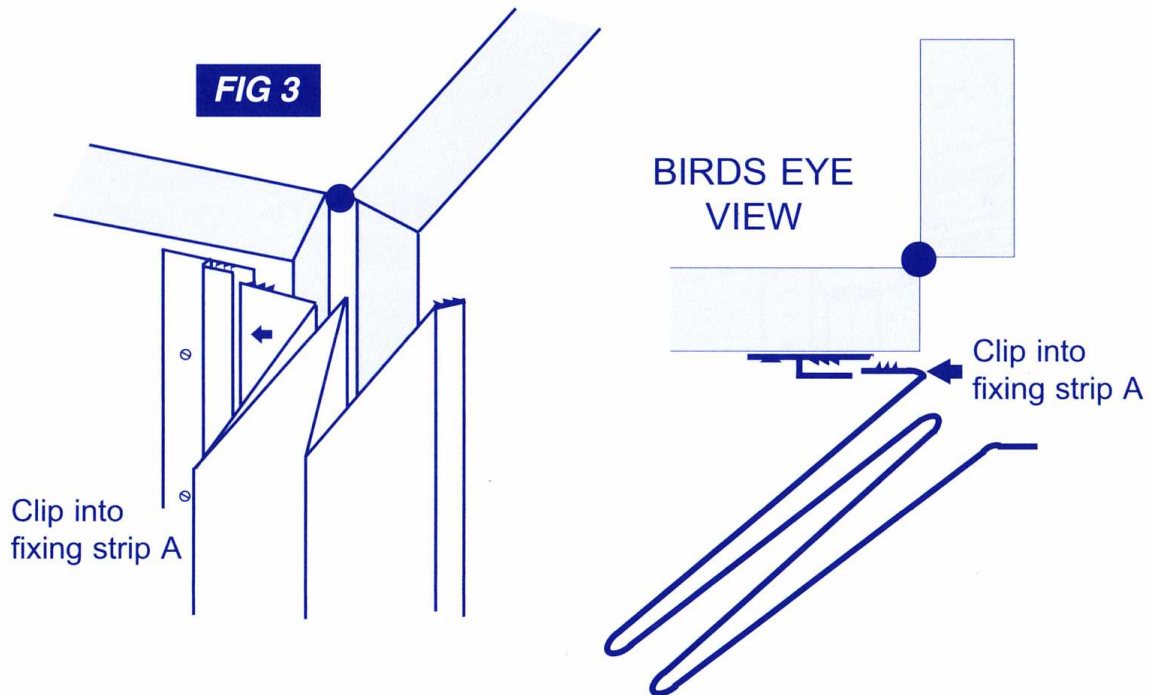
STEP 4

Remove 10mm section by cutting along grooved line with Stanley type blade **SEE FIG 2**



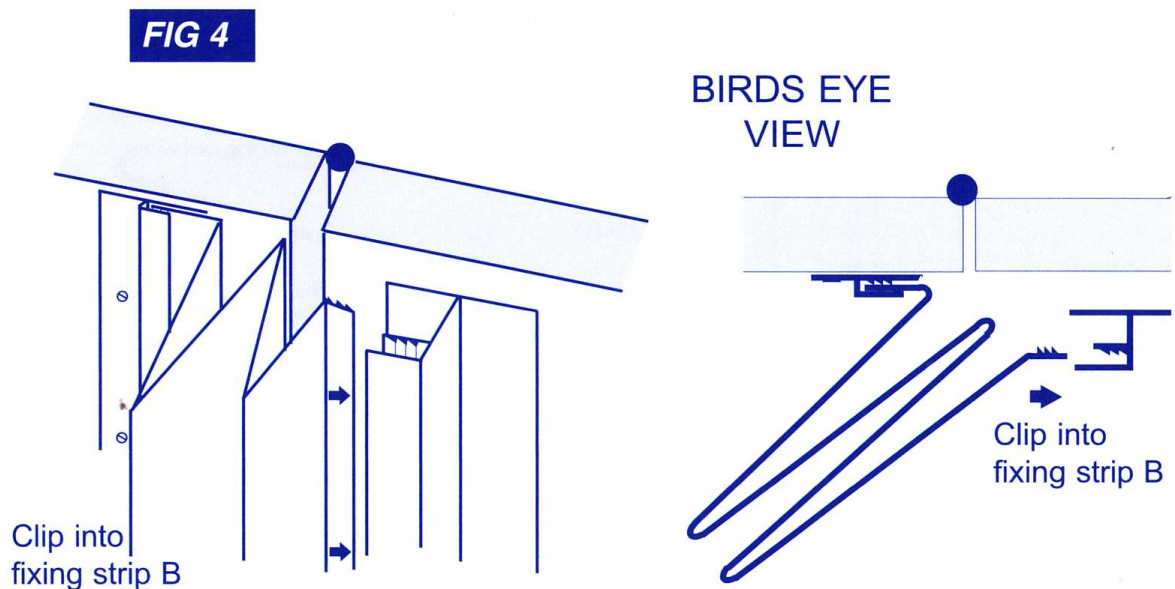
STEP 5

Clip the Fingersafe module wide section into the fixing strip A starting at the top being sure it is fully locked into the serrations **SEE FIG 3**



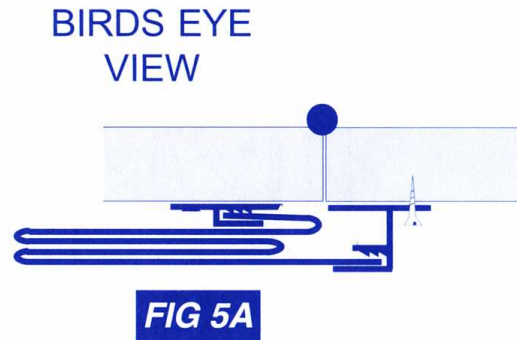
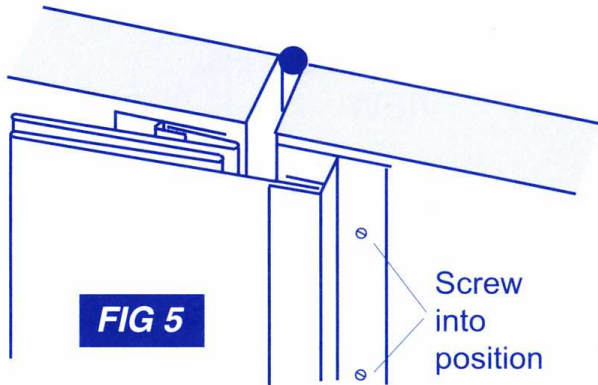
STEP 6

Take the fixing strip B and clip onto the module narrow section being sure that it is fully locked into position **SEE FIG 4**



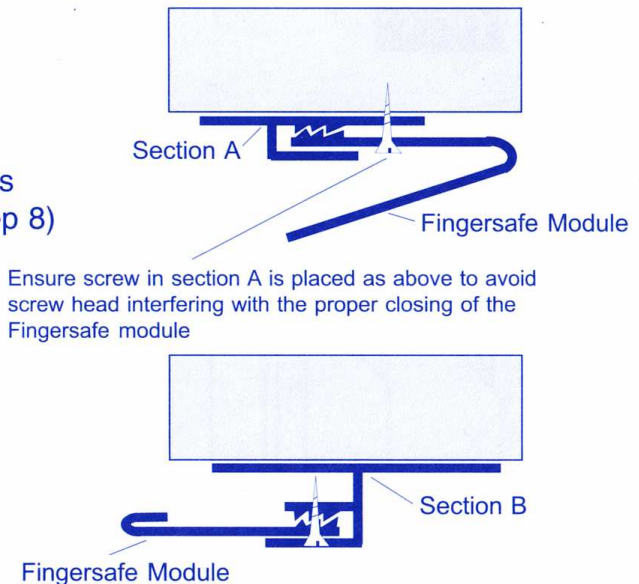
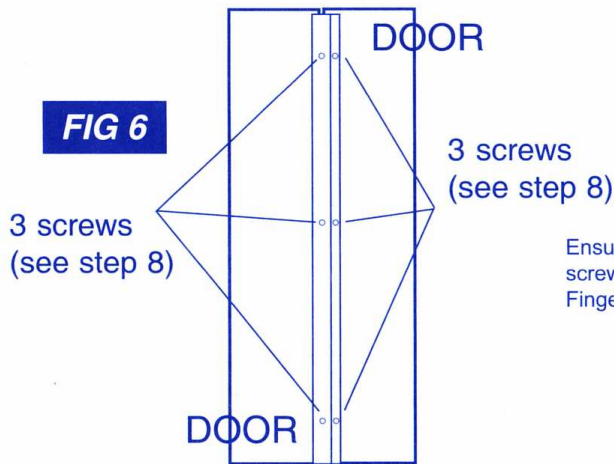
STEP 7

Close the door/Bi-Fold and lay the fixing strip with module against the door and screw into position making sure Fingersafe lays flat against door **SEE FIG 5A**



STEP 8

After opening and losing the door to ensure that the Fingersafe is working as diagrams 1, 2 & 3 attach 3 extra screws top, middle and bottom to both side of unit through both fixing strip and module **SEE FIG 6**



HELPLINE +61 (0)3 9885 8009

Specifications (as certified by UK manufacturer)



ADS 022/02

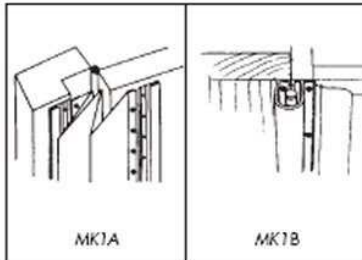
CI/SfB

(31.59) Hnó

Assured Data Sheet

ADS 022/02

FINGERSAFE SAFETY DEVICE



Fingersafe, when installed on the hinge side of the door, will protect fingers and hands from entrapment.

Marketing company (UK)

Fingersafe GB Ltd
8 Totman Close
Brook Road Industrial Estate
Rayleigh, Essex SS6 7UZ
Tel: +44 (0) 1268 777733
Fax: +44 (0) 1268 745800
e-mail: safety@fingersafegb.com
website: www.fingersafe.com

Product description

Fingersafe is a finger safety device for hinged doors, made from PVC-U and TPE (Thermo Plastic Elastomer) material.

The products are available in kit form to suit doors up to 2032 mm high, but are also available, to order, in any lengths.

Use

Fingersafe is available in two versions. The MK1A is designed to act as cover for the gap created between a frame stop and a door hinge edge when the door is opened and comprises a fixing strip and a pleated guard. The MK1B is designed to act as a cover for the gap created between the door frame and the door leaf on the hinge pin side when the door is closing. Both are attached using steel screws.

Data

An assessment was carried out to determine the ease of installation and performance in use.

The opinions given apply to the product as assessed by the BBA under the contract leading to the issue of this Assured Data Sheet.

Technical opinion

In the opinion of the BBA, Fingersafe installed in accordance with the manufacturer's instructions is satisfactory as a finger safety device for hinged doors, and will have a satisfactory life.

On behalf of the BBA

Date: 22nd April 2002

Chief Executive

In issuing this Assured Data Sheet, the BBA does not accept responsibility to any person or body for any loss or damage, including personal injury, arising as a direct or indirect result of the use of these products.

British Board of Agrément
P O Box 195, Bucknalls Lane,
Garston, Herts WD25 9BA
Tel: 01923 665300
Fax: 01923 665301
e-mail: mail@bba.star.co.uk
website: www.bbacerts.co.uk

Assured Data Sheets are not the same as Agrément Certificates. They relate to non-critical products for which there are generally no statutory requirements, and continuing surveillance of the production facility is not undertaken.

Readers are advised to check the validity of this Assured Data Sheet by contacting the BBA (Telephone Hotline 01923 665400).

©2002

BBA ASSURED DATA SHEET



Fingersafe™ door safety systems

A unique, patented, inconspicuous and easy to install protection system designed to prevent fingers being trapped in opening and closing doors.

Introduction With some 30,000 reported incidents of amputated, mutilated or damaged fingers per year, **Fingersafe™** is designed specifically to prevent fingers being damaged in opening and closing doors. Besides the cost in trauma, treatment and disability, the owner or manager of a facility could be held responsible and incur litigation and claim for personal injury. Having identified the need in the market, the inventor developed **Fingersafe™**, the products are now accepted nationally and internationally as world leader's in door safety.

Applications **Fingersafe™** is suitable for use in all butt-hung doors, including fire doors, where door closers are used and where there are high levels of use. Specific uses include schools and other educational facilities, childcare and healthcare centres also it is suitable for the elderly and infirm. It is commercially specified for restaurants, supermarkets, fast food outlets, government buildings, public houses and bars.

Authority **Fingersafe™** is the subject of BBA Cert. No. ADS022/02, BS EN ISO 9001: 2008, Construction Line Reference 64581. The company are also members of RoSPA.

DESCRIPTION

Fingersafe™ offers no resistance or restriction to the door operation and allows 180 degree opening. It offers draught exclusion and is a smoke inhibitor. It is available as two full height strips for use on each side of a butt hinged door. **MK1A** is a flexible, concertina fitting, positioned on the inward side of the door and fixed to the door frame and the inside hinged edge of the door itself. When the door is closed the fitting is compressed, but when the door is opened the fitting extends and provides a protective covering over the hinge space. **MK1A** units are installed via a fixing strip which allows easy access to the hinge for maintenance. **MK1B** is a flexible, curved fitting, positioned on the outward side of the door and fixed to the door frame and the outside edge of the door. When the door is closed the fitting forms a closed seal over the hinge. When the door is opened this fitting compresses and provides a stiffened protective covering to the hinge and the space between door and frame. **MK1B** units have a built-in fixing strip. **MK1C** units use the standard **Fingersafe™** module together with a NEW fixing strip, allowing it to fit bi-fold doors, doors which fit flush to the frames including PVC-U doors.

Composition, manufacture

Fingersafe™ door safety products are manufactured from a combination of rigid and flexible PVC which is stabilised with calcium zinc to give a durable and colourfast product, the materials used are compliant with both Rohs and WEEE requirements.

Dimensions Stock length is 2030 mm (6' 8"). Other lengths are available on request. All products can be modified to accommodate wider door openings.

Appearance **Fingersafe™** is stocked in an extensive range of colours at no extra cost, with special

PERFORMANCE

Unlike an inferior finger shield or wrap around device, **Fingersafe™** allows even a fire door to open to 180 degrees and will not implode into itself under pressure and actually ejects fingers from the opening.

Fire The PVC-U compound used is non-flame propagating and self-extinguishing and has achieved an Underwriters Laboratory rating of 94 V-0 flame spread, Classification UL25KL. Resistant to UV light, **Fingersafe™** will not tarnish.

Compatibility **Fingersafe™** is compatible with all types of doors except double pivot.

Durability Testimonials of product durability are available on request.

SITWORK

Installation Simple to install in only 10-15 minutes.

ECONOMICS

Guarantees A two year guarantee on fair wear and tear is offered - supply only.

SUPPLY

Fingersafe™ products are available worldwide. Details upon request.

SERVICES

Samples will be supplied, upon request, to a potential client's building for evaluation purposes.

MK1A
DOOR OPEN
Protection from 'opening' (PUSH) side of doors

MK1B
DOOR CLOSED
Protection from 'hinge pin' (PULL) side of doors

MK1C
DOOR CLOSED
Protection from bi-fold, (flush fit) and PVC-U doors

BBA BRITISH BOARD OF AGREEMENT
TECHNICAL APPROVAL FOR CONSTRUCTION
ADS 022/02